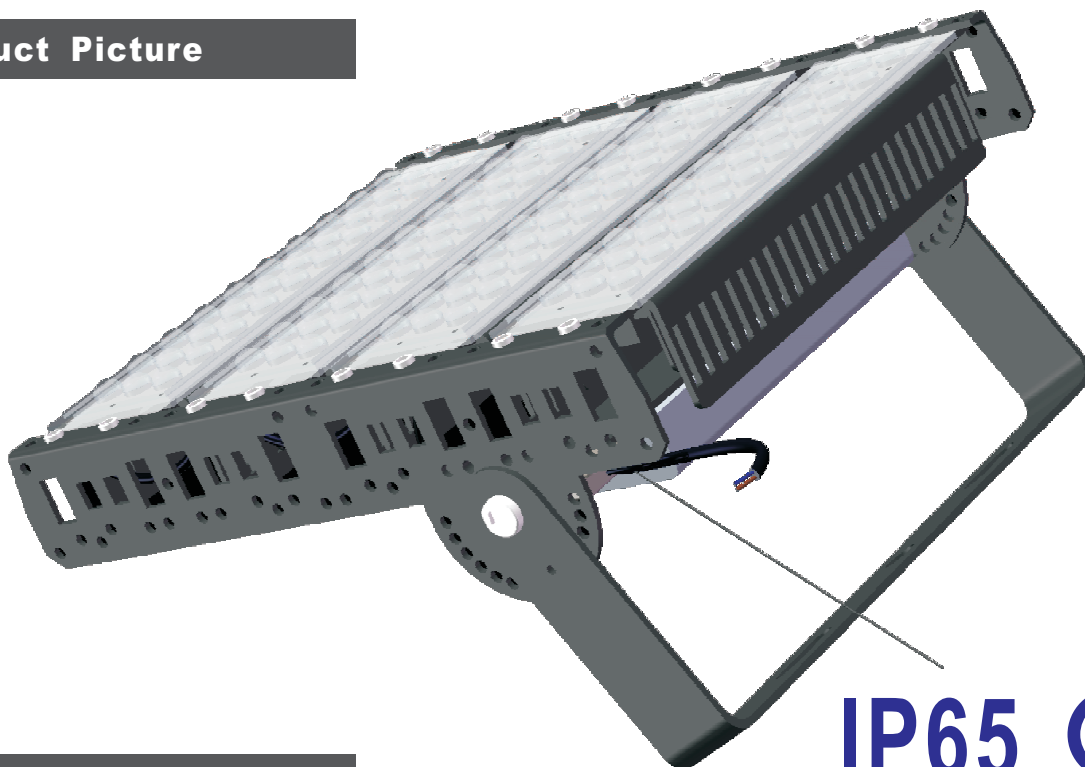


Product Specification

Description	LED Flood Light
Model NO	AT243F-M200RGB

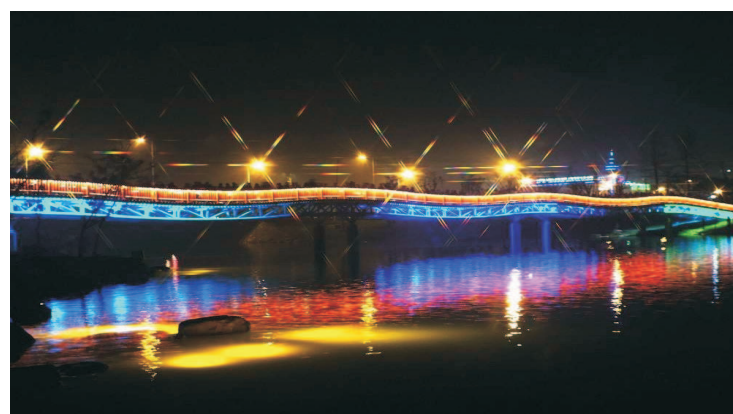
Product Picture



IP65 CE



Product Application



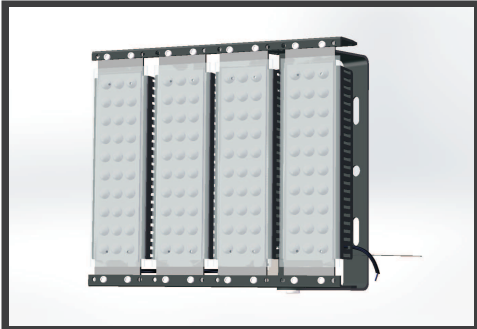
LED RGB floodlight is widely used in various parks, amusement parks, squares, bridges, rivers and so on



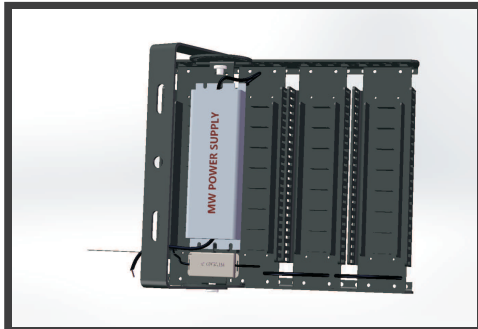
SHENZHEN AGLARE LIGHTING CO., LTD
Web: www.aglare.cn/www.amusementlamp.com
Email: aglare@aglare.cn
Tel: +86-755888868631

Product Structure

TOP



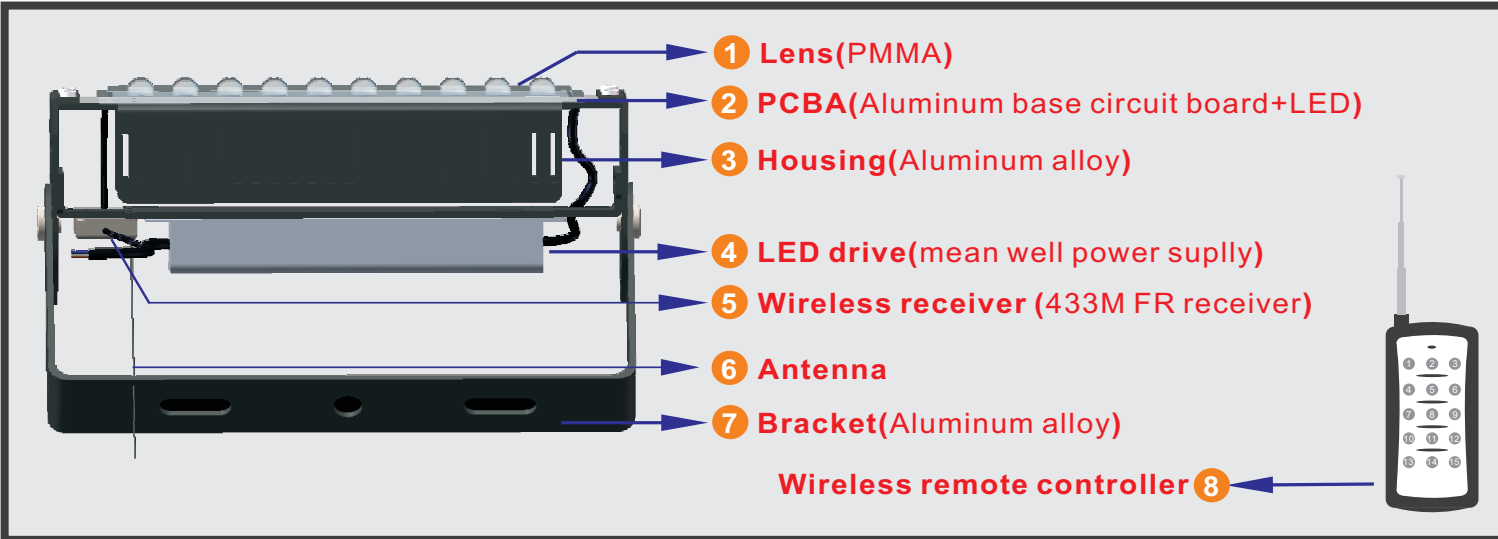
BOTTOM



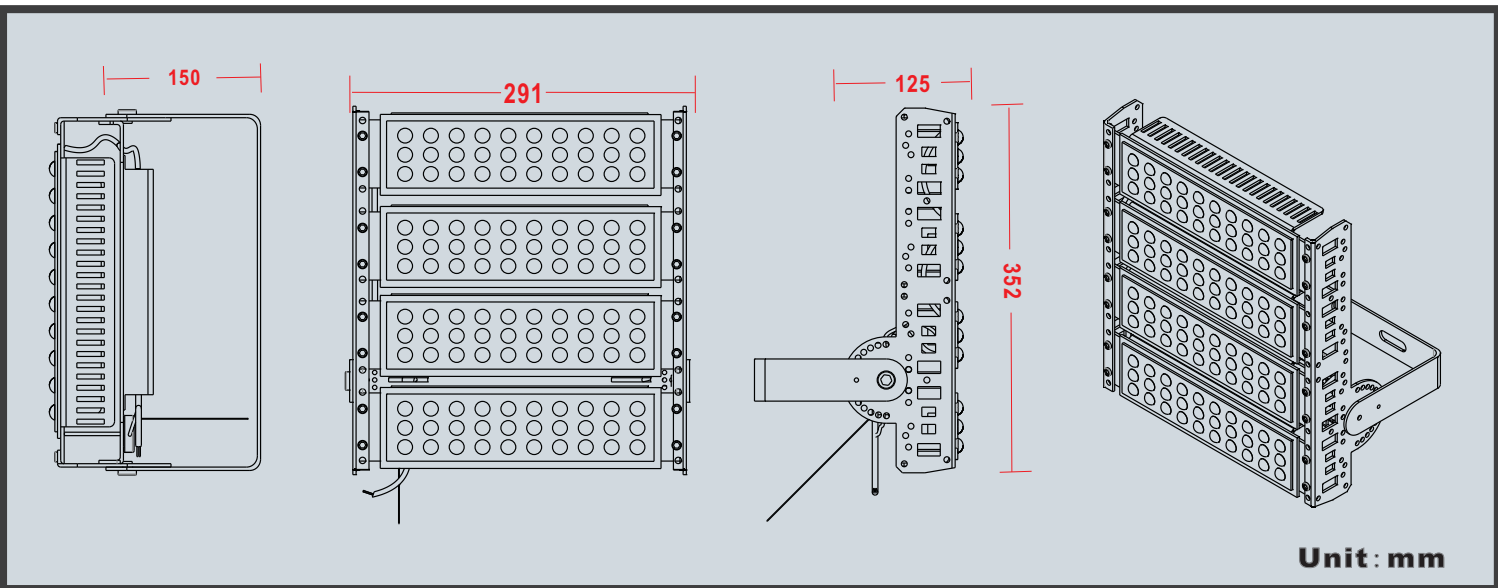
SIDE



Product Material



Product size



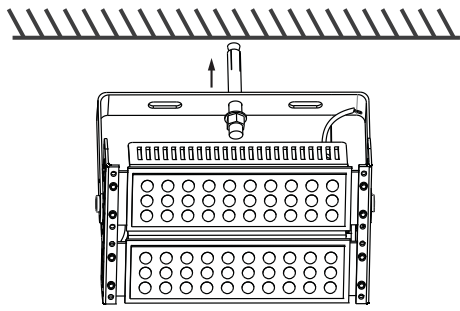
Product Parameters

Part No.	Voltage	Lumen Flux	Watts	Total Watts	LEDs	IP	Beam angle	Weight
AT243F-M200RGB	AC100-277V	1920lm	66W	max200W	120pcs 3W RGB	Ip65	60° / 90°	
		2680lm	66W					
		880lm	66W					
		4600lm	132W					
		3560lm	132W					
		2800lm	132W					
		5480lm	200W					

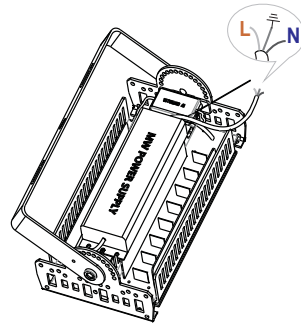


SHENZHEN AGLARE LIGHTING CO., LTD
 Web: www.aglare.cn / www.amusementlamp.com
 Email: aglare@aglare.cn
 Tel: +86-75588868631

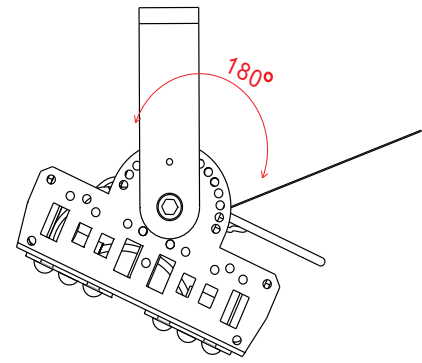
Product Installation



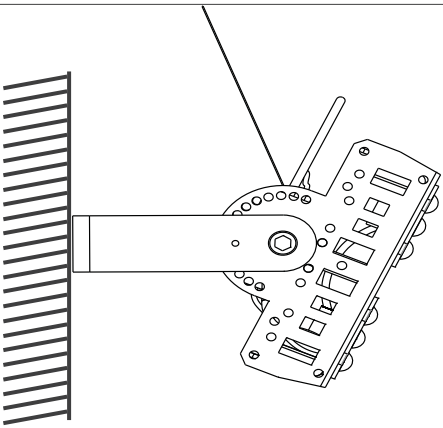
1 Fix the screw



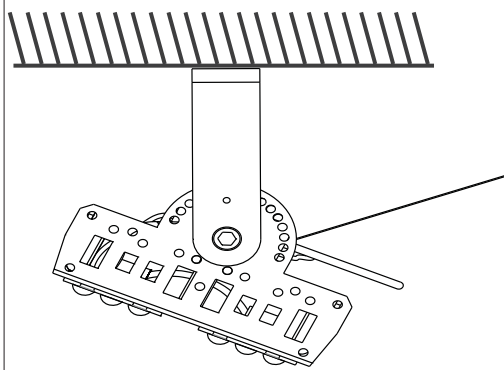
2 Connect the wire



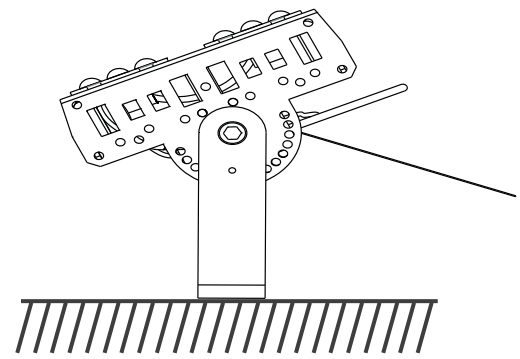
3 Rotate the angle



1 Wall type

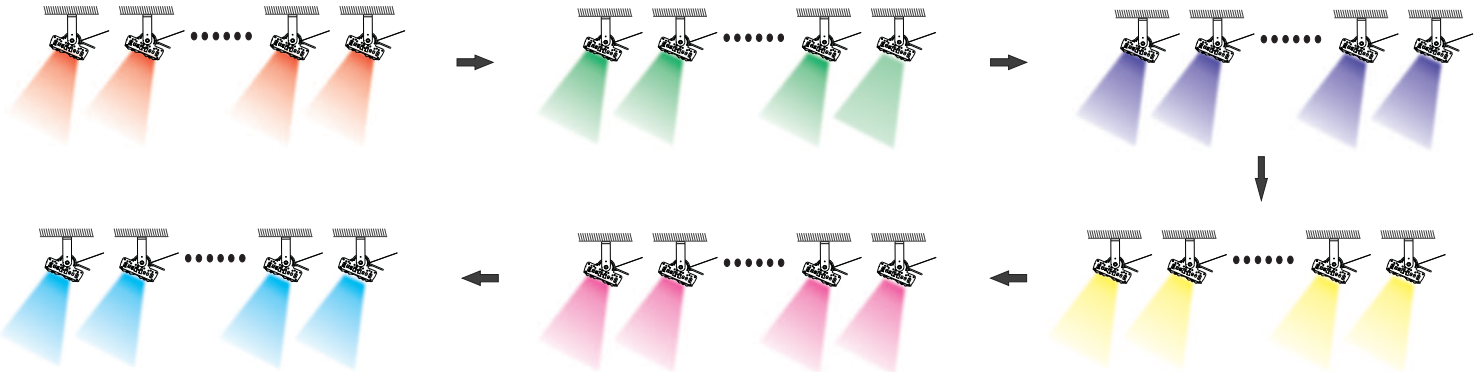


2 Pedestal type



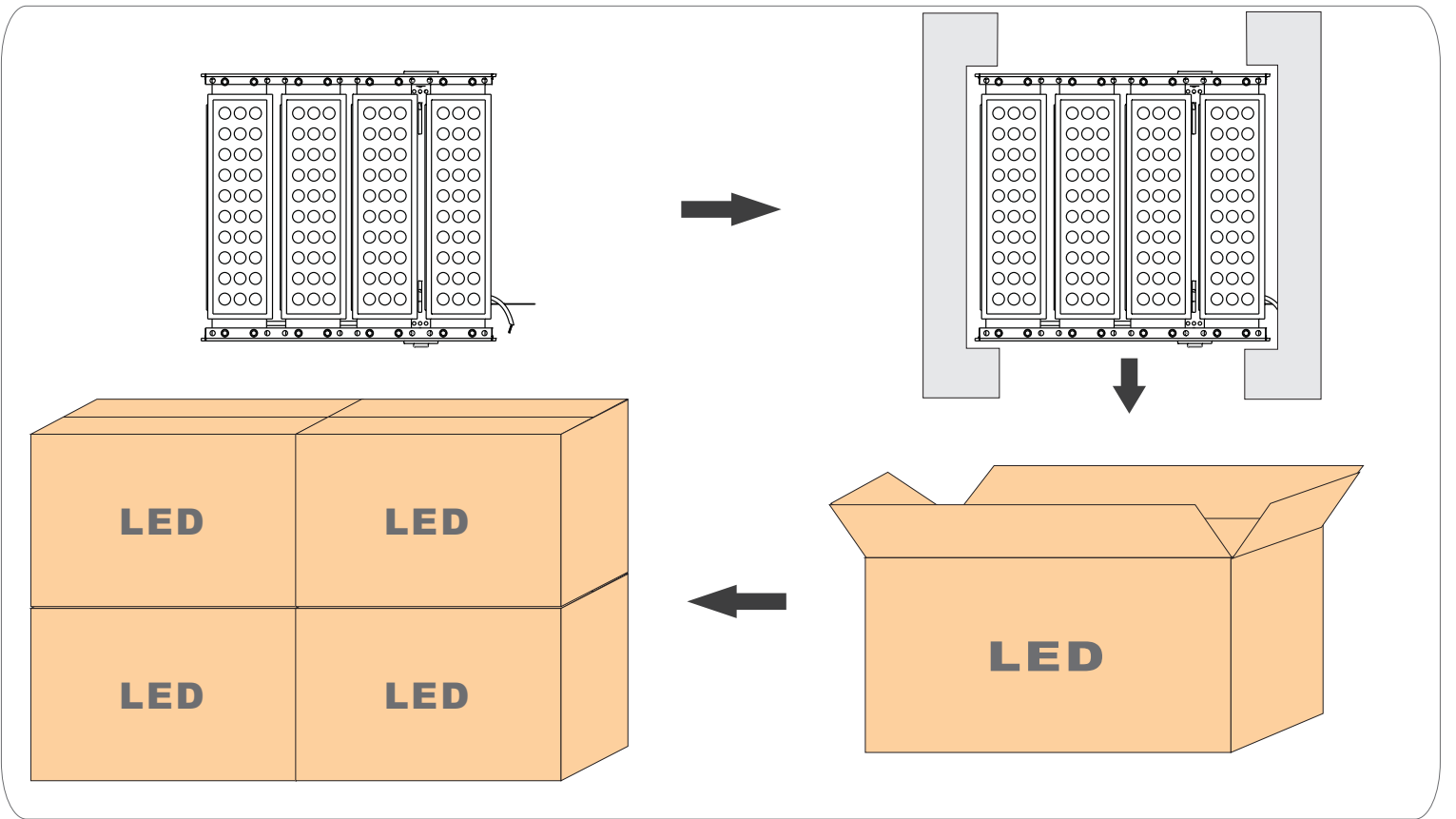
3 Suction ceiling type

Instructions



The RGB flood light is a full color LED lamp that can select the luminous color and change mode through the wireless remote control, and all the lights can keep the same change in the signal receiving range

Remote control distance is more than 200m



WEIGHT/PCS	N. W	G. W	PCS/CARTON	CARTON SIZE
5.1KG	5.1KG	6.3KG	1	440*335*160mm

Instructions :

K=K Material Carton
Foam Material box

Please read the specification before used :

- Any wire damage should be replaced by qualified professional person to avoid dangerous occurs.
- Please cut down the input power supply once the lamp works abnormal
- Please take measures of lightning protection, and ensure the Input voltage which is stable
- Pls put the lamp under the dry, ventilated and clean circumstance, and clean and maintain regular
- Don't disassemble by yourself, avoid the electric shock as there is high voltage inside the lamp

