

# Product Specification

Description	<b>LED Flood Light</b>
Model NO	<b>AT241F-M100RGB</b>

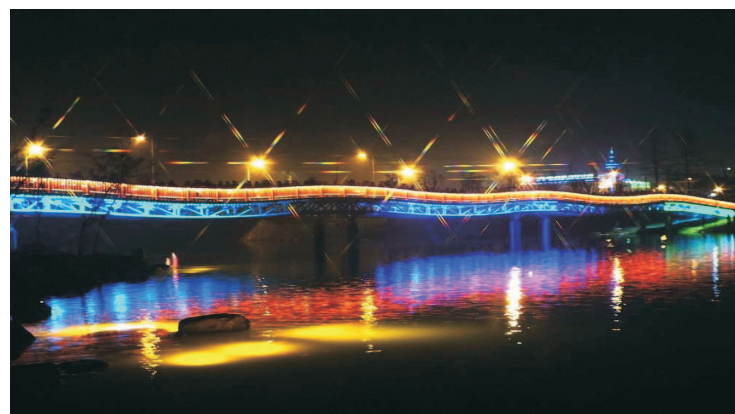
## Product Picture



**IP65 CE**



## Product Application



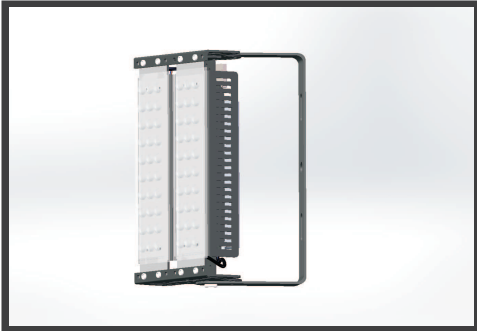
LED RGB floodlight is widely used in various parks, amusement parks, squares, bridges, rivers and so on



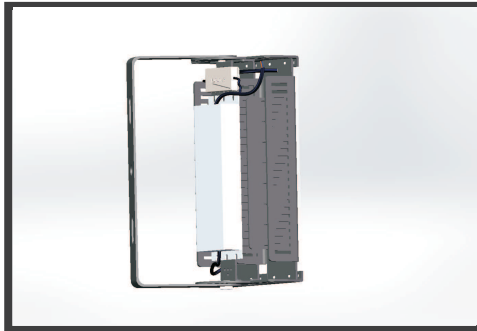
**SHENZHEN AGLARE LIGHTING CO., LTD**  
Web: [www.aglare.cn](http://www.aglare.cn)/[www.amusementlamp.com](http://www.amusementlamp.com)  
Email: [aglare@aglare.cn](mailto:aglare@aglare.cn)  
Tel: +86-75588868631

# Product Structure

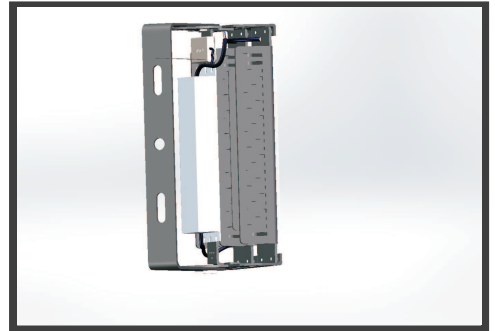
TOP



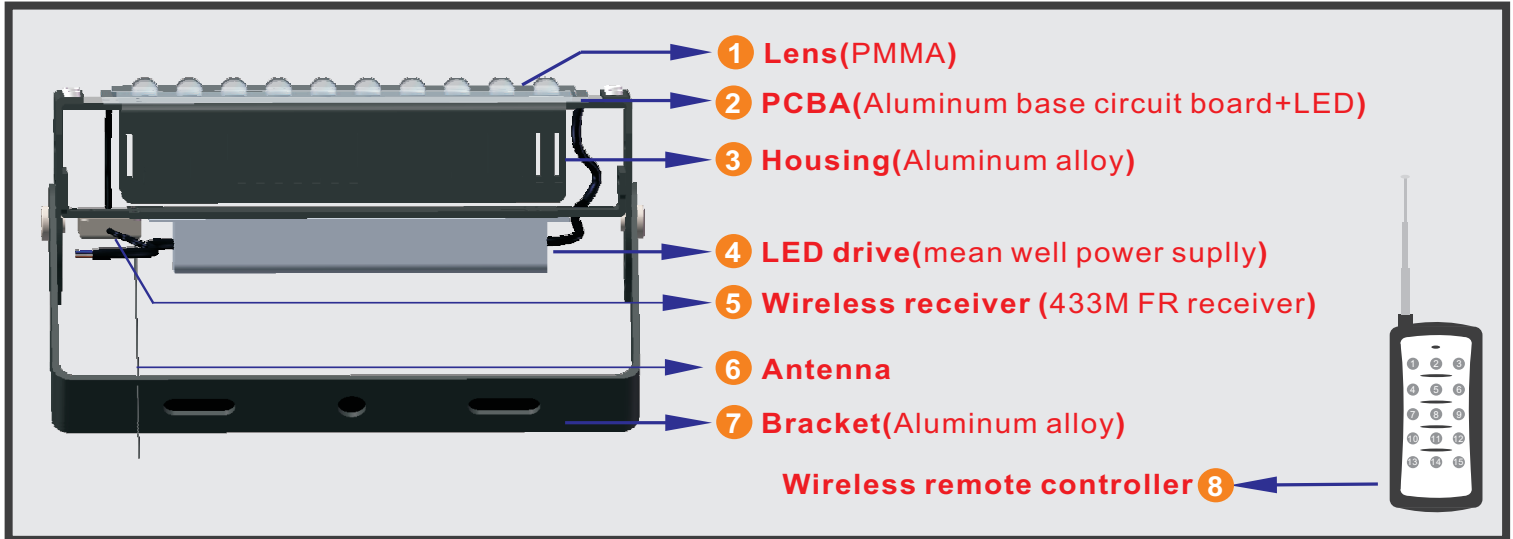
BOTTOM



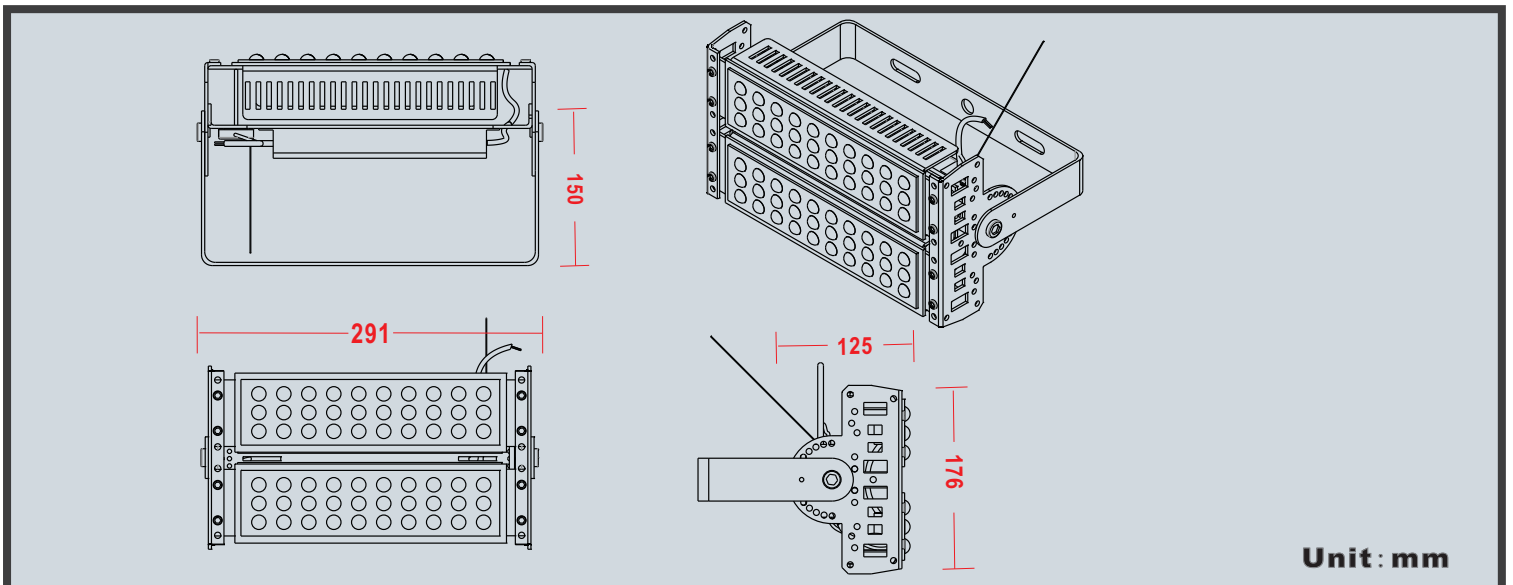
SIDE



## Product Material



## Product size



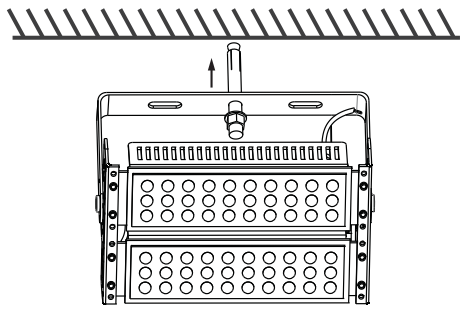
## Product Parameters

Part No.	Voltage	Lumen Flux	Watts	Total Watts	LEDs	IP	Beam angle	Weight
AT241F-M100RGB	AC100-277V	960lm	33W	max100W	60pcs 3W RGB	Ip65	60° / 90°	
		1340lm	33W					
		440lm	33W					
		2300lm	66W					
		1780lm	66W					
		1400lm	66W					
		2740lm	100W					

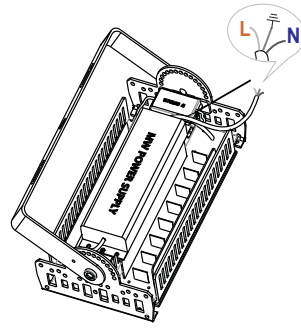


**SHENZHEN AGLARE LIGHTING CO., LTD**  
 Web: [www.aglare.cn](http://www.aglare.cn) / [www.amusementlamp.com](http://www.amusementlamp.com)  
 Email: [aglare@aglare.cn](mailto:aglare@aglare.cn)  
 Tel: +86-75588868631

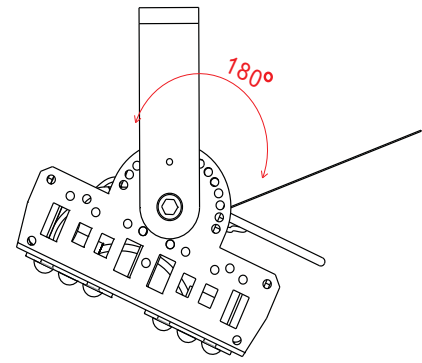
## Product Installation



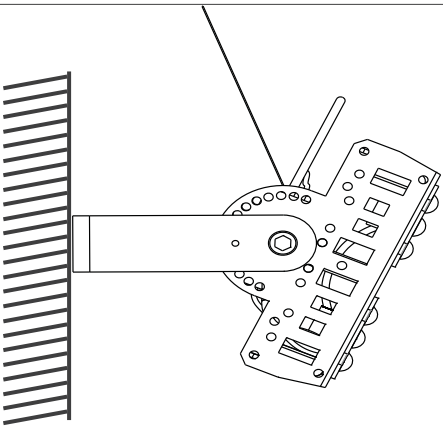
**1 Fix the screw**



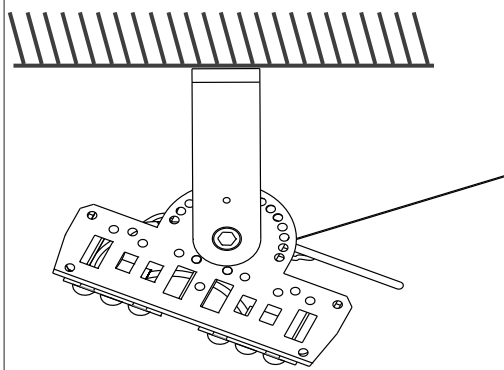
**2 Connect the wire**



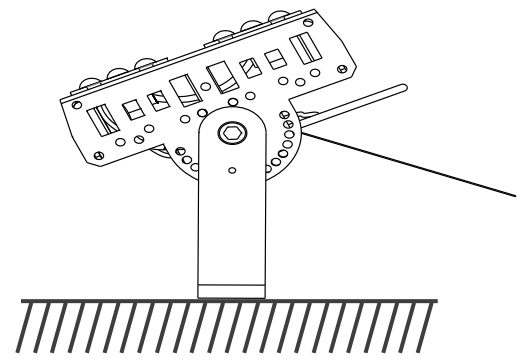
**3 Rotate the angle**



**1 Wall type**

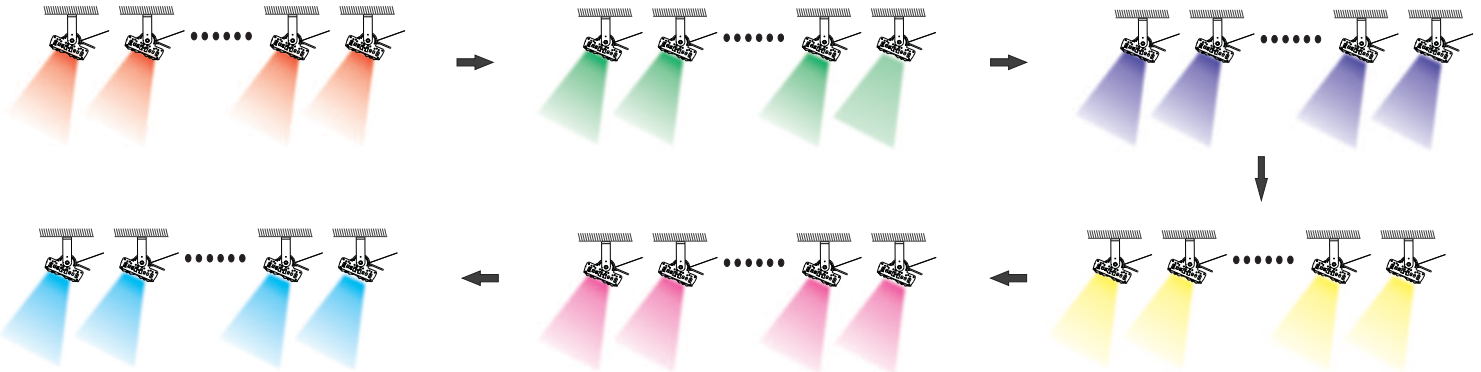


**2 Pedestal type**



**3 Suction ceiling type**

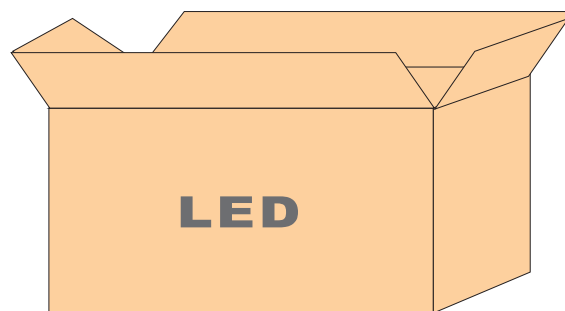
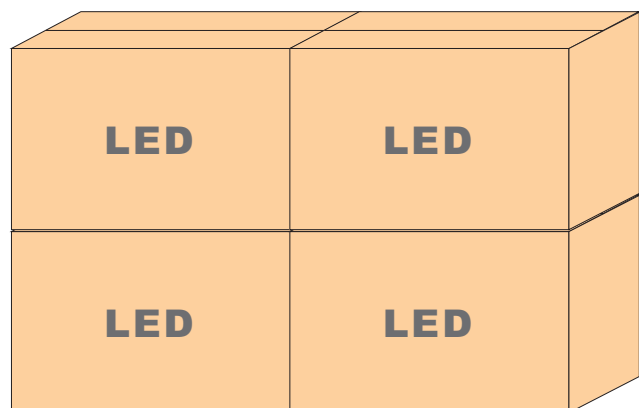
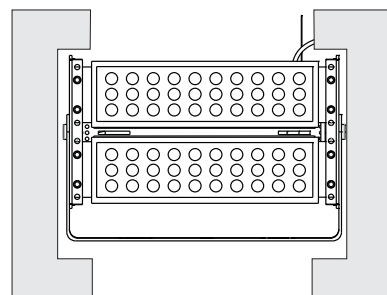
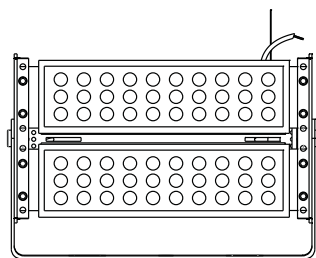
## Instructions



The RGB flood light is a full color LED lamp that can select the luminous color and change mode through the wireless remote control, and all the lights can keep the same change in the signal receiving range

Remote control distance is more than 200m





WEIGHT/PCS	N. W	G. W	PCS/CARTON	CARTON SIZE
3.35KG	3.35KG	4.35KG	1	335*260*160mm

**Instructions :**

K=K Material Carton  
Foam Material box

**Please read the specification before used :**

Any wire damage should be replaced by qualified professional person to avoid dangerous occurs.

Please cut down the input power supply once the lamp works abnormal

Please take measures of lightning protection, and ensure the Input voltage which is stable

Pls put the lamp under the dry, ventilated and clean circumstance, and clean and maintain regular

Don't disassemble by yourself, avoid the electric shock as there is high voltage inside the lamp